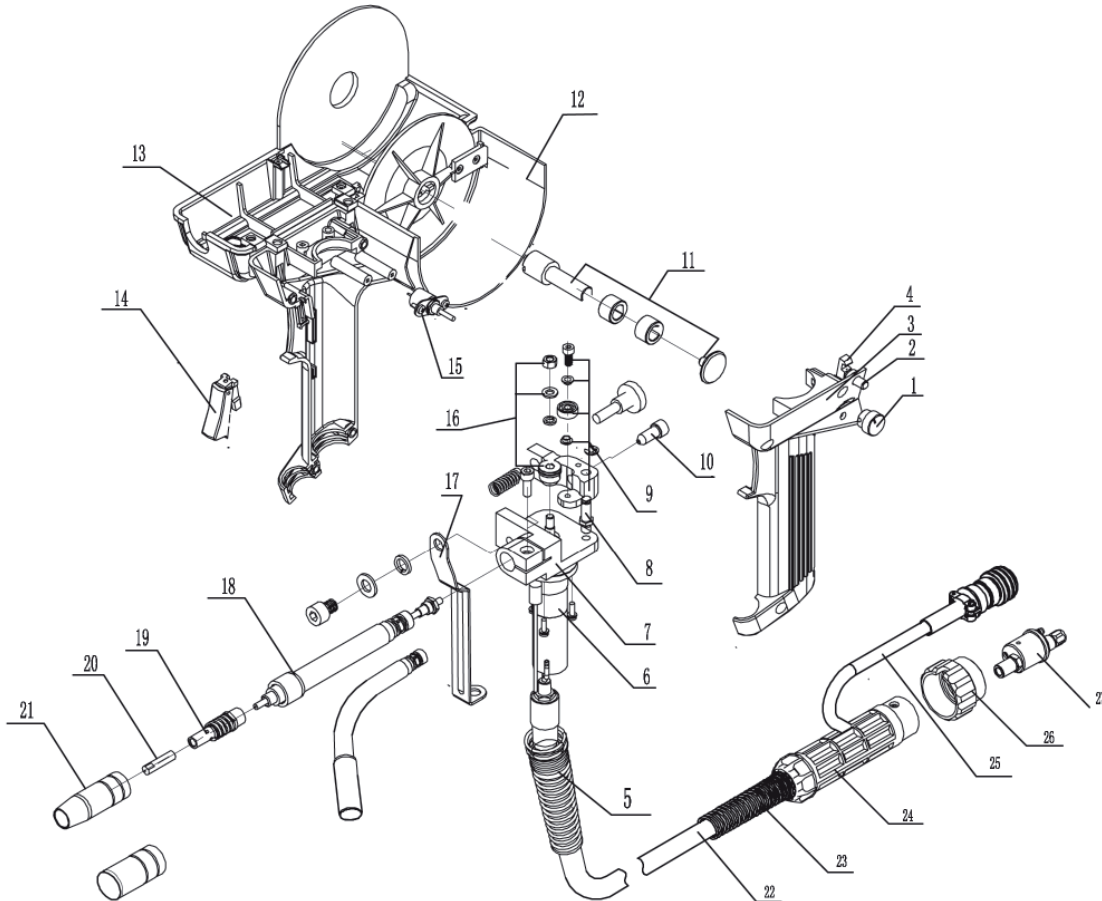




XA SPG200II SPOOLGUN

200A AIR COOLED MIG WELDING TORCH

Rating: 200A Argon 100% @ 35% duty cycle. 0.8 to 1.0mm wires



Torch Model	Description	Part Number
XcelArc Spool Gun SPG200 x 6m		SPG200II

Spare Parts		
Description	Part Number	
1 XAMZ2017	Speed Adjust Knob (not standard)	
2 XAMH2114	Open/Close Button	
3 XAMH2111	Left Gun Case	
4 XAMT2115	Hang Hook	
5 XAMH2101	Spring Support	
6 XAMZ2001	Motor	
7 XAMZ2011	Motor Plate	
8 XAMZ2012	Suspension Screw	
9 XAMZ2013	Drive Roll Assembly	
10 XAMZ2016	Wire Nipple	
11 XAMT2101	Spool Shaft	
12 XAMH2112	Right-Gun Case	
13 XAMH2113	Upper Gun Case	
14 XAJ2101	Switch	

Spare Parts		
Description	Part Number	
15 XAMZ2014	Potentiometer (not standard)	
16 XAMZ2015	Push Roll	
17 XAMK2001	Conductor Board	
18 XAEF1101	Conducting Tube	
19 See Next Page	Tip Holder	
20 See Next Page	Contact Tip	
21 See Next Page	Gas Nozzle	
22 XALML2140	Welding Cable	
23 XAES1201	Spring Support (Back)	
24 XAEH2201	Adapter Support	
25 XAMV2007	Adapter Support Nut	
26 XAEP2001	Adapter	
27 XAMV	Euro Connector Plug.	