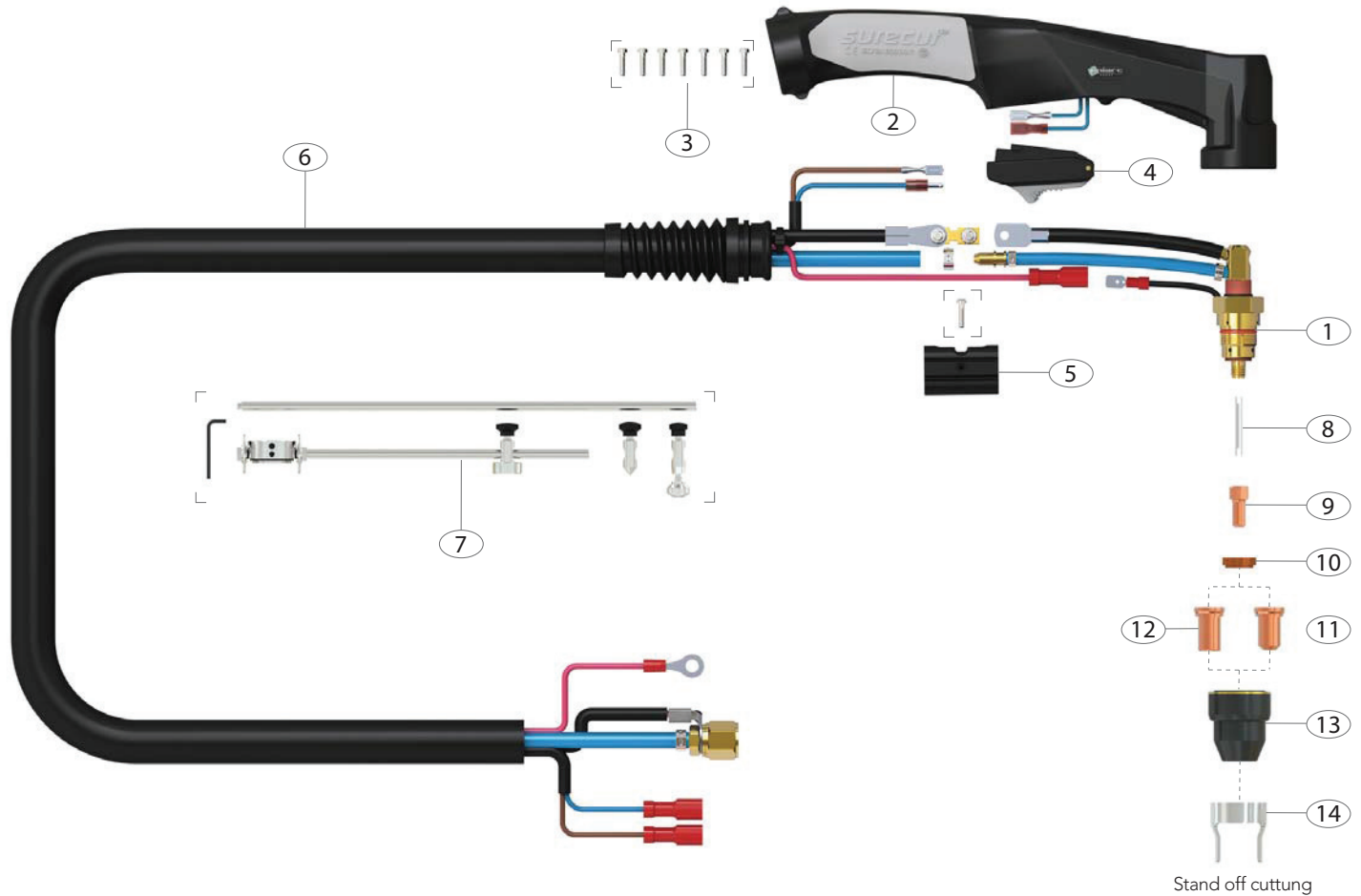




# Surecut SC80

Rating: 80A Air/N<sub>2</sub> Gas, @ 60% duty cycle.

For use on **RAZORCut 40**



## Technical Data

Max Current	80A	Gas Pressure	3.0 Bar
Duty Cycle	60%	Gas Flow	50l/min
Gas	Air/N		with Pilot Arc

## Spare Parts

#	Part Number	Description
	SC80-60-CC1	Surecut 80 Plasma Torch x 6m
1	SC8001	SC80 70 Torch Head Kit
2	SC8014	Plasma Handle Kit
3	SCSP1	Screw Pack
4	SC2516	Plasma Safety Trigger
5	SC8015	Location Block
6	SC8019-60-CF4	Cable Assembly Complete x 6mt
7	SC8050	Circle Cutting Attachment Kit

## Spare Parts

#	Part Number	Description
8	SC8002	Cooling Tube
9	SC8004	Electrode
10	SC8006	Swirl Ring
11	SC8020-09	Cutting Tip 0.9mm
12	SC8020-10	Cutting Tip 1.0mm
13	SC8030	Retaining Cup
14	SC8040	Stand Off Guide