

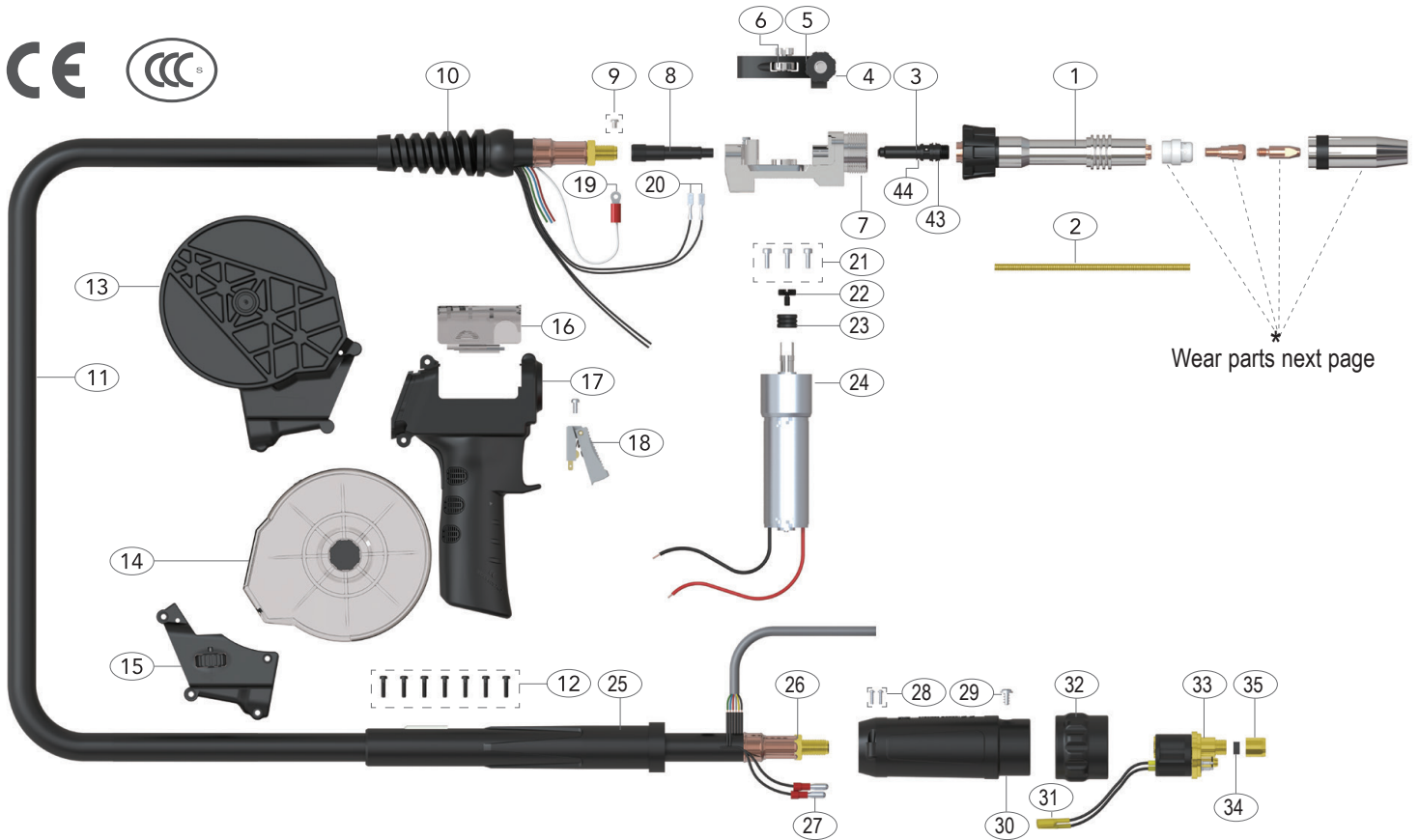


## MIG WELDING TORCHES XASP24 SPOOL GUN

### Suregrip™ Series

### 220A AIR COOLED SPOOL ON GUN MIG WELDING TORCH

Rating: 220A CO<sub>2</sub> 200A mixed gas EN60974-7 @ 60% duty cycle. 0.8 to 1.2mm wires



Wear parts next page \*

#### Torch Model

Part Number	Description
-------------	-------------

XASP24-24-P1-60ER	XA Suregrip Spool Gun 220A x 6m, 1K Pot, 24V Motor
-------------------	--

#### Spare Parts

Part Number	Description
1	XAP2401A Straight Neck Assembly
2	XAP3602A Jump Liner
3	XAP36006 Jump Liner Nipple
4	XAP36402B Tension Knob
5	XAP36402 Pressure Arm Assembly
6	XAP36402R Pressure Roll
7	XAP36001 Motor Body
8	XAP36006 Wire Guide
9	XA2563 Screw
10	XA8015 Cable Support
11	XASP2403-60ER Coax Cable Assembly, Euro Type
12	XAA3X20 Handle Screw Pack
13	XAP2515SP-B Spool Holder
14	XAP2515SP-C Spool Cover
15	XAP2515SP-PT-1K Wire Speed Control 1KΩ
	XAP2515SP-PT-5K Wire Speed Control 5KΩ
	XAP2515SP-PT-10K Wire Speed Control 10KΩ
16	XAP2514/C Spool Gun Handle Cover
17	XAP2515/KJ Spool Gun Handle
18	XAP2516 Push Pull Trigger
19	XA2597 Circular Cold Press Terminal
20	XA1521 Cable Terminal
21	XAPMS1 Motor Screw Pack

#### Spare Parts

Part Number	Description
22	P7020-24-4 Screw
23	XAP7020W-08U Driver Roll For Aluminium Wire 0.8
	XAP7020W-09U Driver Roll For Aluminium Wire 0.9
	XAP7020W-10U* Driver Roll For Aluminium Wire 1.0
	XAP7020W-12U Driver Roll For Aluminium Wire 1.2
	XAP7020W-16U Driver Roll For Aluminium Wire 1.6
24	XAP7020-24 Motor 24V DC
	XAP7020-42 Motor 42V DC
25	XAA2041 Cable Support
26	XA1505 Lock Nut
27	XA1522 Cable Terminal Male
28	XASP1-1 Gun Plug Housing Screw
29	XA1541 Gun Plug Screw
30	XA2578H/L Gun Plug Housing Assembly
31	XA1523 Gun Plug Terminal Female
32	XA1519/S Housing Nut
33	XA1528 Hybrid Gun Plug Body with Pins
34	UB1525W Washer
35	XA1525 Retaining Nut

\*Supplied standard with 1.0mm U Groove for Alloy Wire