



# TWO TIER LARGE UNIVERSAL MACHINE TROLLEY MANUAL



**Welding trolley suitable for portable welding machines.**

Please read and understand this instruction manual carefully  
before the installation and operation of this equipment.

© Xcel-Arc 2025

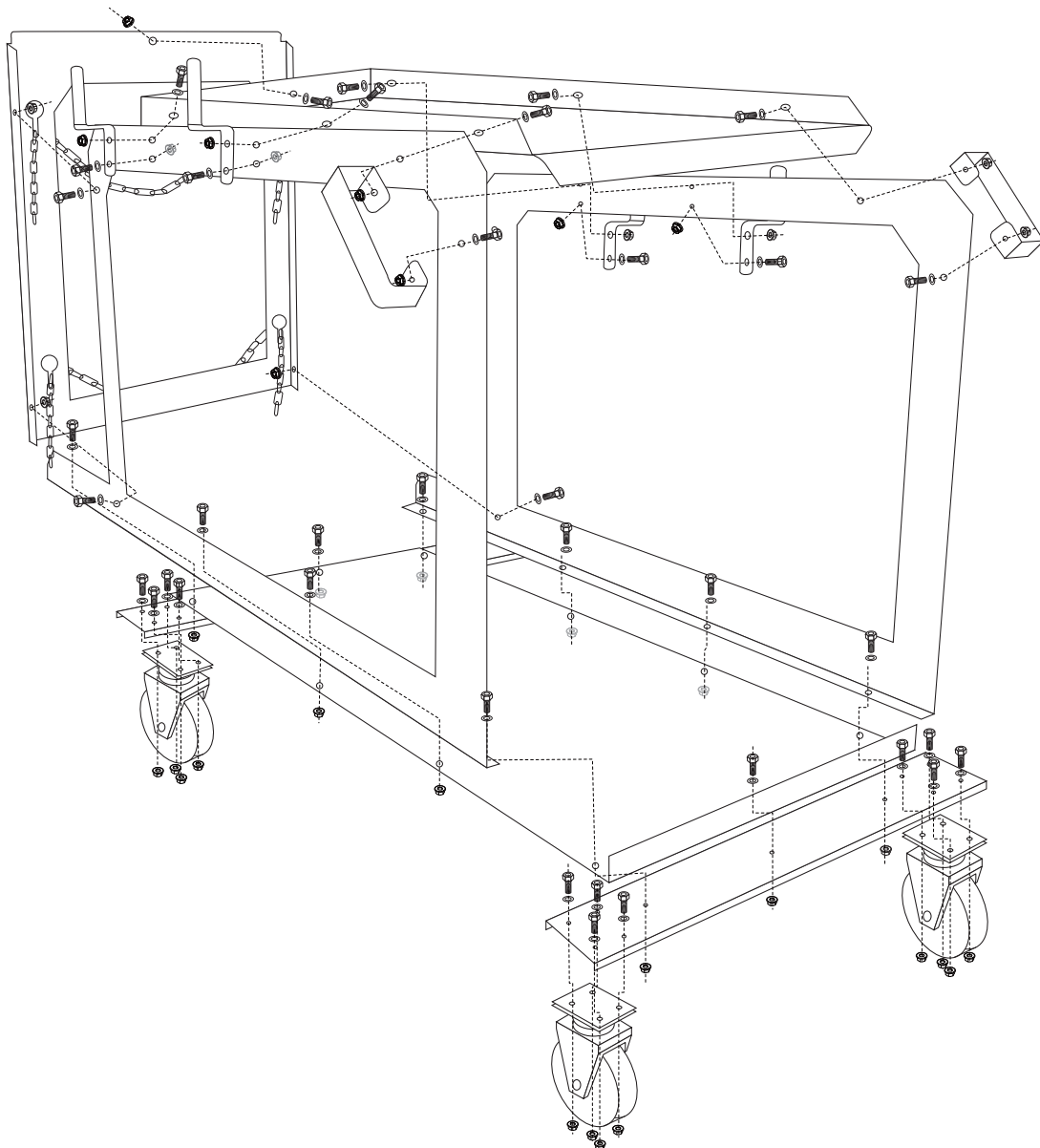
XA-TRTT

# XcelArc Two-Tier Large Universal Machine Trolley (XA-TRTT)

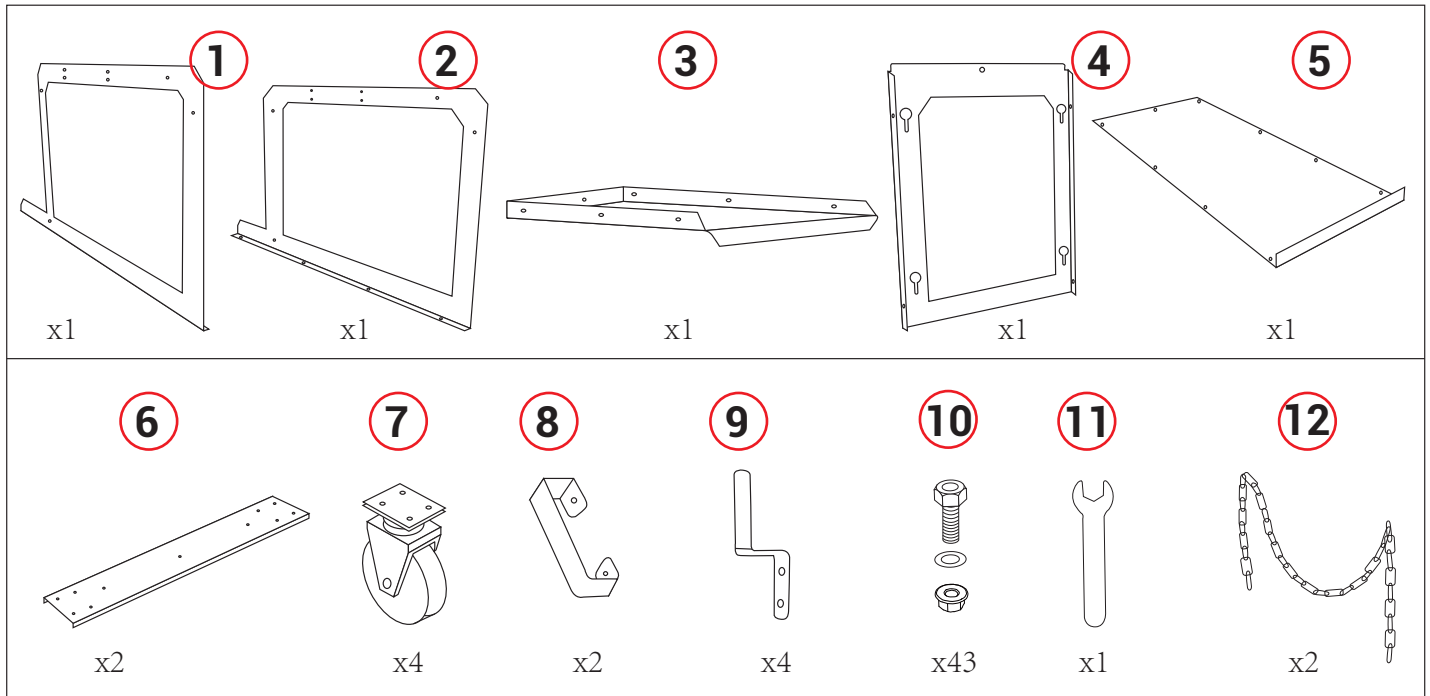
## Assembly Instructions Manual

Part	Description	Qty
1	Left side frame/upright panel	1
2	Right side frame/upright panel	1
3	Base tray frame	1
4	Back panel	1
5	Bottom shelf / platform panel	1
6	Cross support bar / brace	2
7	Swivel caster wheels	4

Part	Description	Qty
8	Handle brackets	2
9	Side support hook / holder	4
10	Fastener set (bolt, washer, nut)	43
11	Assembly spanner	1
12	Chains	2



# INSTRUCTIONS



## ASSEMBLY STEPS

1. Prep: Lay all parts out, and identify left/right frames.
2. Assemble the rolling base: Place the bottom shelf upside down, align cross-support bars along edges, attach casters with bolts, washers, and nuts. Tighten evenly.
3. Attach side frames: Position left/right frames on base edges and bolt loosely.
4. Square the frame: Measure diagonals, adjust until equal, then tighten bolts.
5. Mount the back panel: Hang on two partially-inserted bolts via keyholes, secure with remaining bolts.
6. Fit angled handle brackets under the top tray: Attach brackets pointing downward toward the inside.
7. Install the top tray: Align holes with side frames, bolt securely, tighten bracket bolts.
8. Add side hooks: Bolt four hooks to upper outer faces.
9. Final tighten: Go over all bolts, ensure nothing is loose.
10. Level and test: Ensure the cart rolls smoothly and recheck bolts after first use.

## Safety Information

Always assemble the trolley on a flat, stable surface. Wear gloves to avoid injury from sharp metal edges. Keep children and pets away during assembly.



***Esseti New Zealand Limited***

PO Box 4189, Palmerston North - 4442

**Phone:** 06 355 1103

**Fax:** (06) 354 2437

**Email:** [sales@esseti.co.nz](mailto:sales@esseti.co.nz)

**[www.esseti.co.nz](http://www.esseti.co.nz)**